

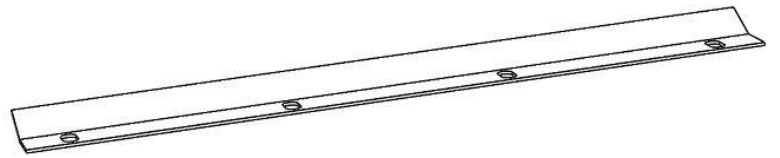
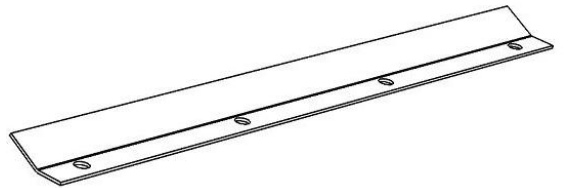
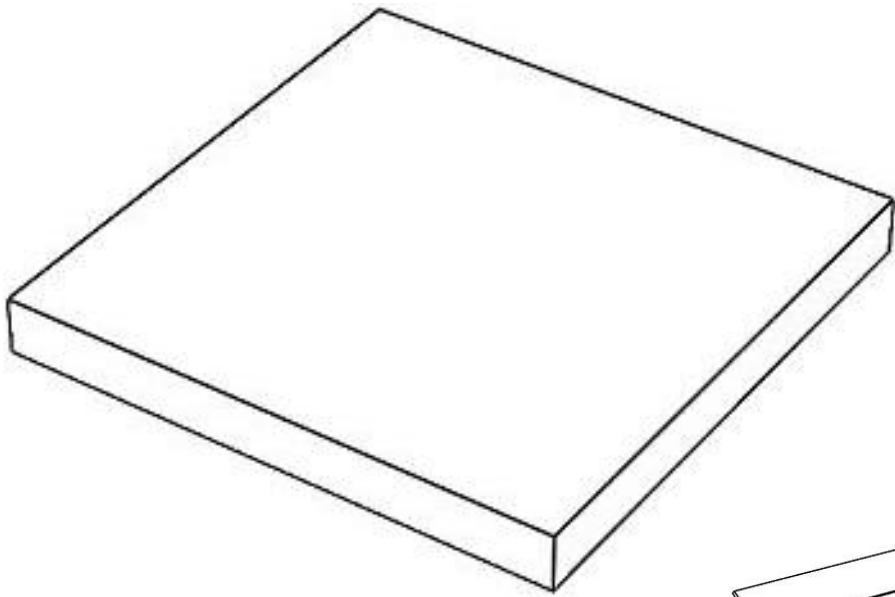
MOUNTING INSTRUCTIONS

WALL

# HUSH LIGHT ACOUSTIC PANEL

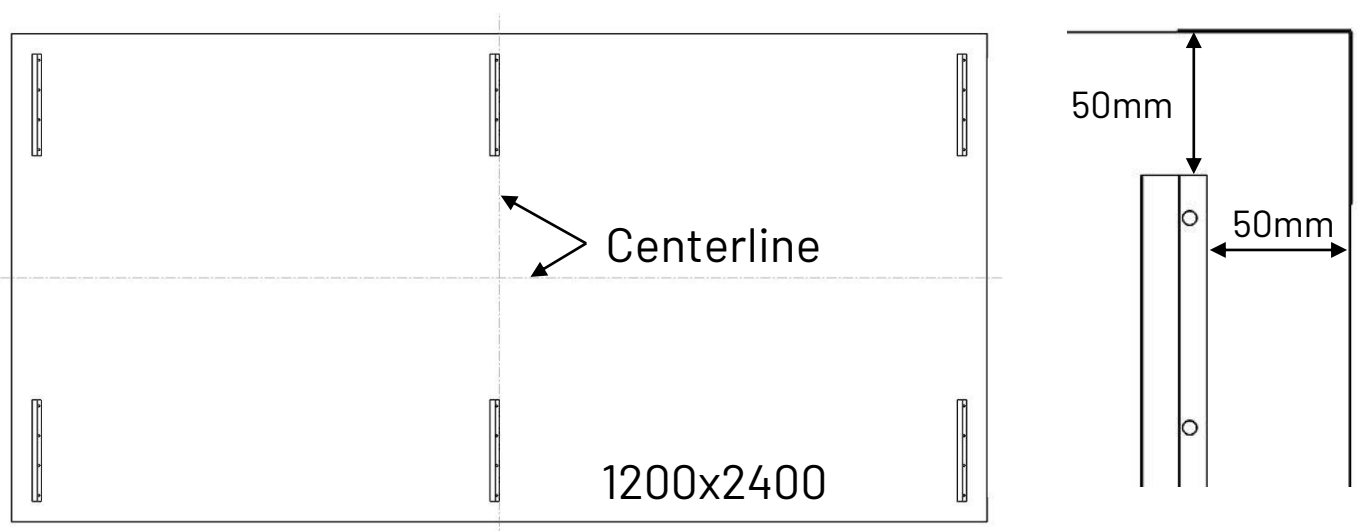
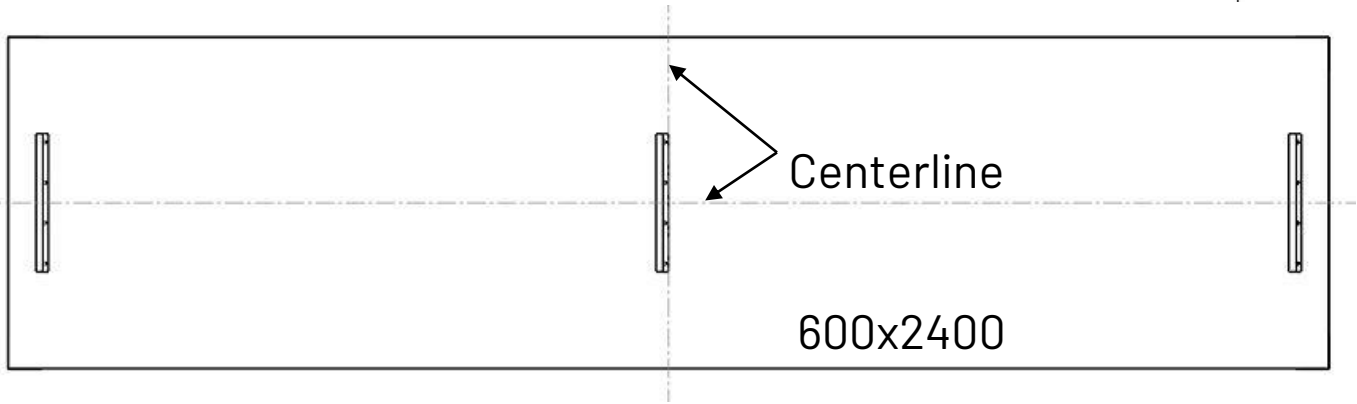
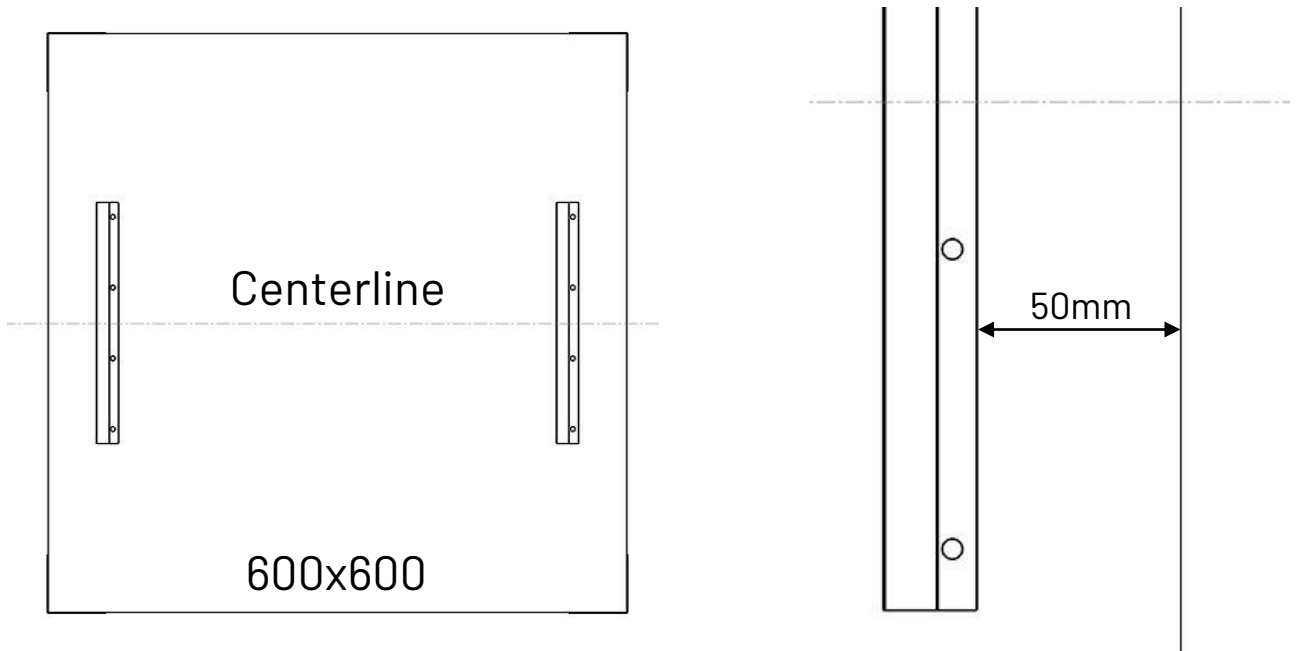


[www.tk-team.com](http://www.tk-team.com)

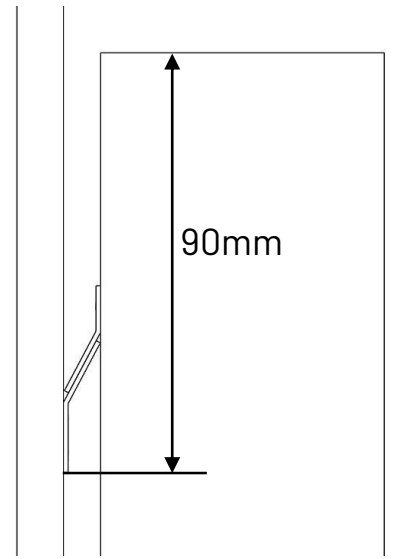
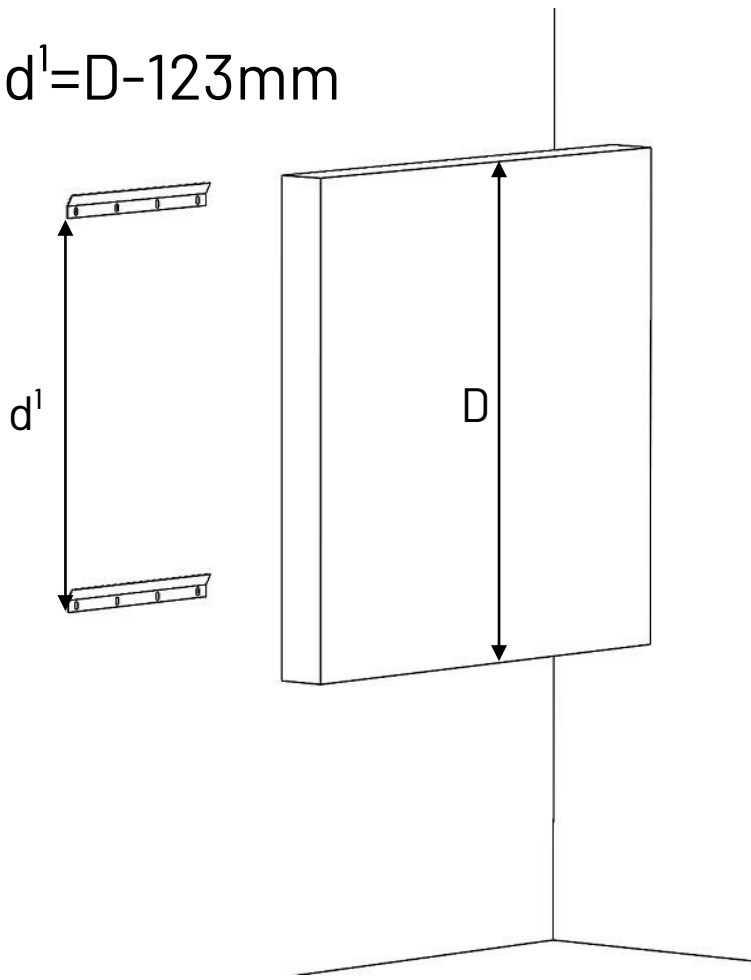


# Sample board sizes with fasteners and measurements.

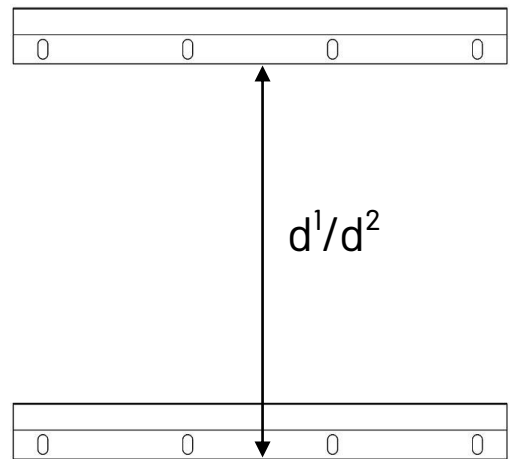
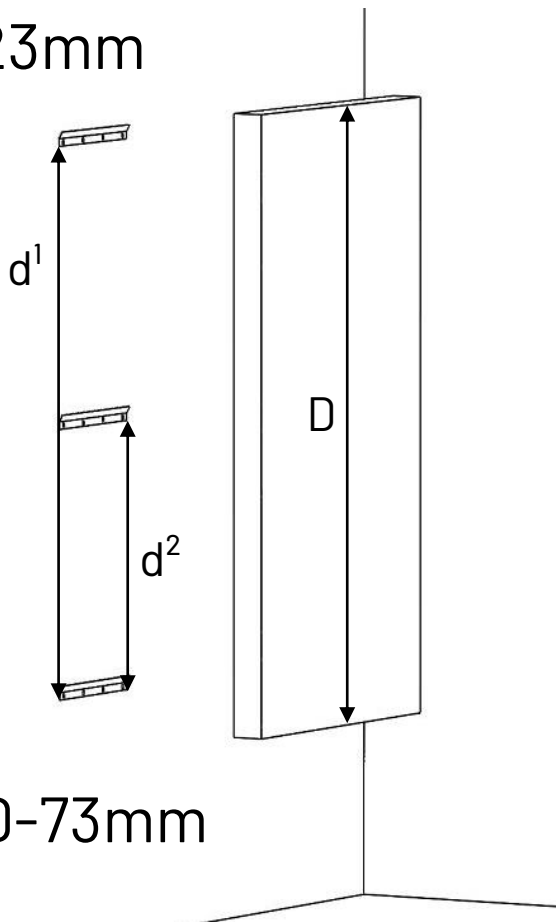
Width < 800mm = fasteners in one row with centerline.  
Width > 800mm = fasteners in two row 50mm from the both side.  
Length < 1000mm = 2 pcs. in a row.  
Length > 1000mm = 3 pcs. in a row.



$$d^1 = D - 123\text{mm}$$



$$d^1 = D - 123\text{mm}$$



$$d^2 = 1/2D - 73\text{mm}$$

