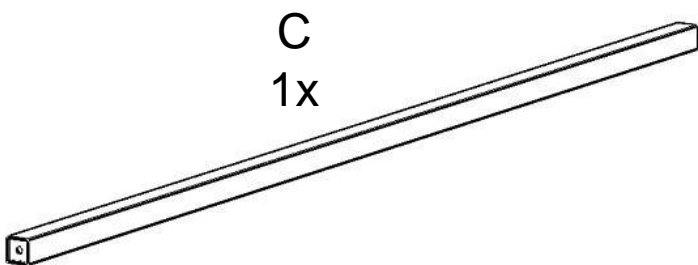
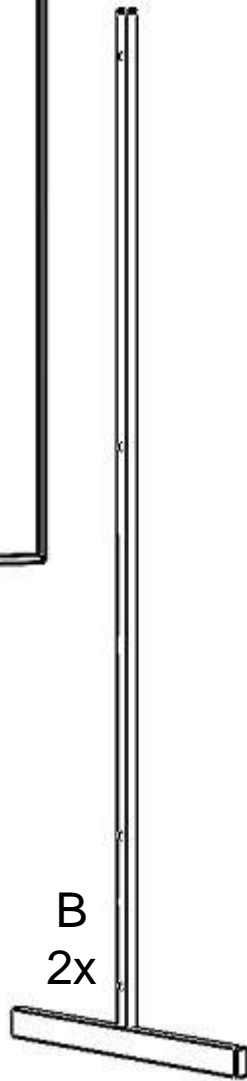
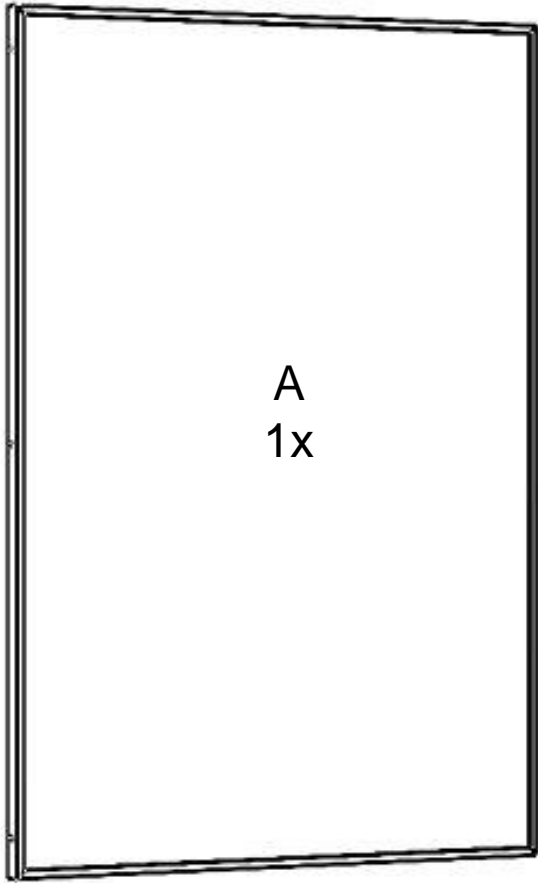


MOUNTING INSTRUCTIONS

# MOBILE PRESENTATION PANEL

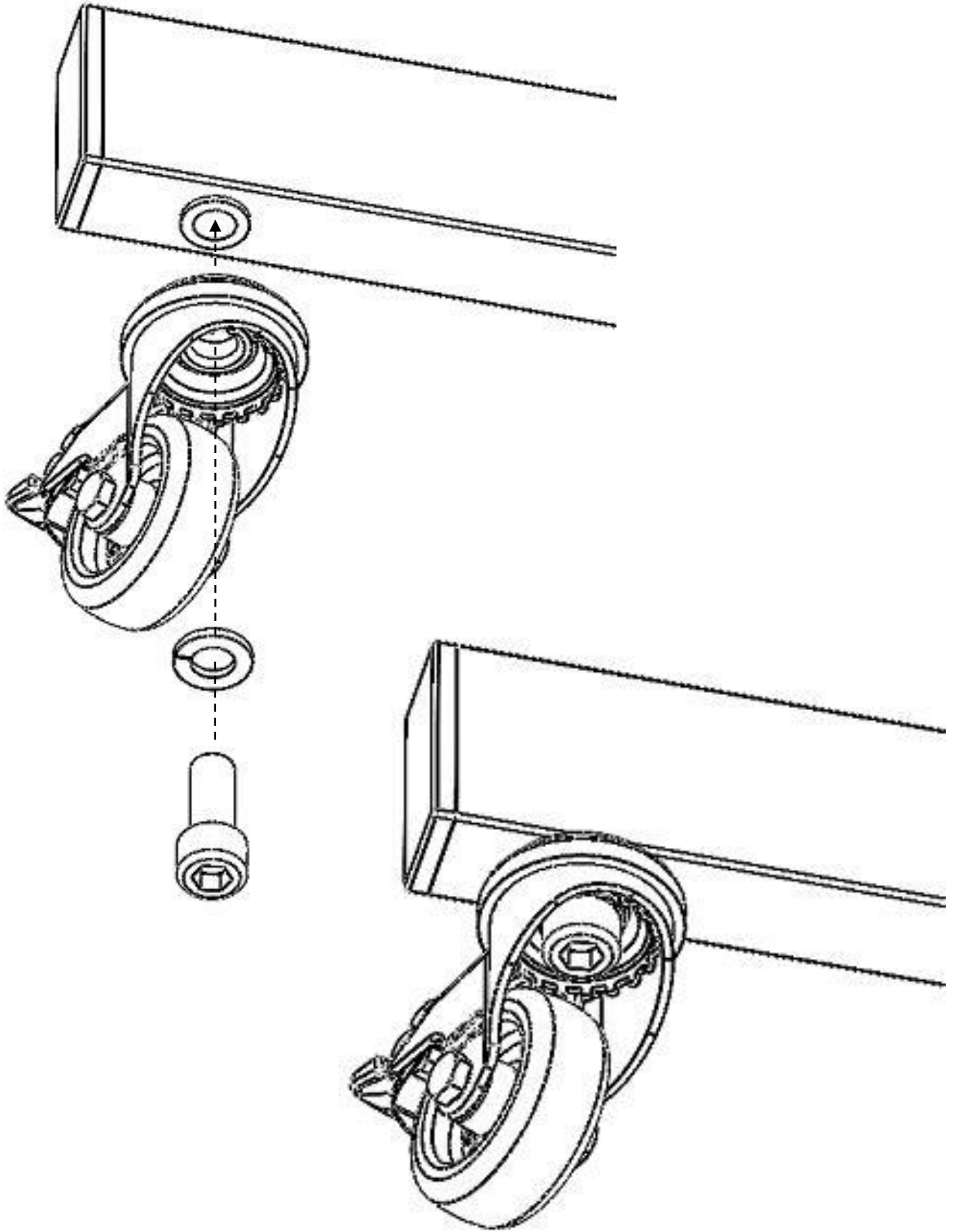


[www.tk-team.com](http://www.tk-team.com)



	<p>D M10x25mm 4x</p>
	<p>E M10 4x</p>
	<p>F 2x</p>
	<p>G 2x</p>
	<p>H M6x25mm 8x</p>
	<p>I 8x</p>
	<p>M Joining clip 1x</p>
	<p>Not incl.</p>

2x F/G  
4x D/E



- 1x A
- 2x B
- 1x C
- 8x H/I

