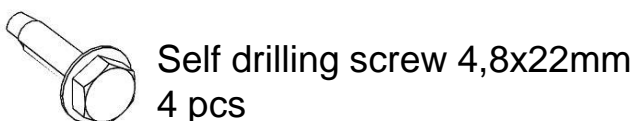
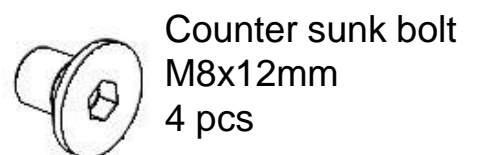
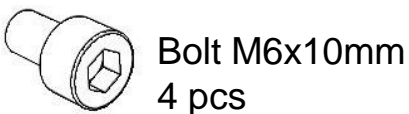
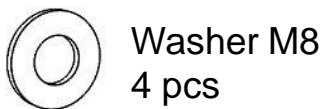
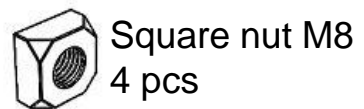
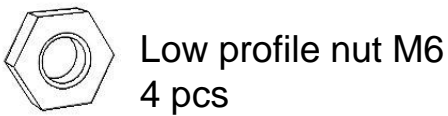
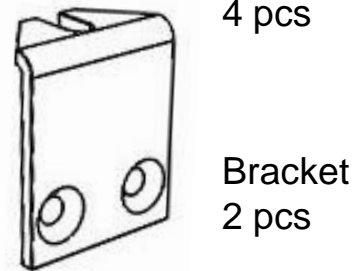
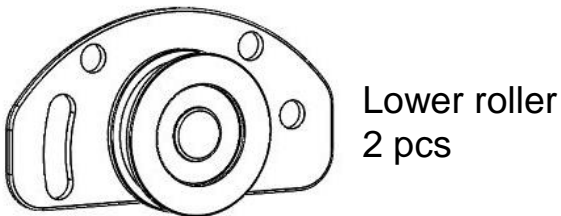
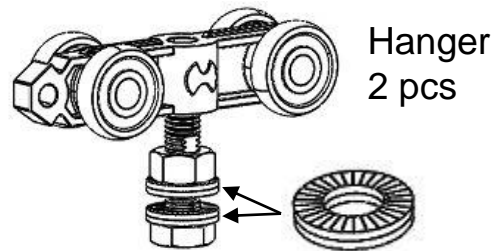
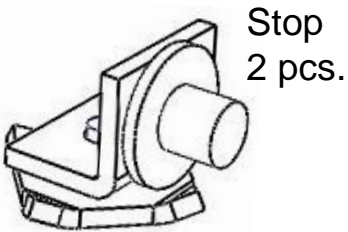
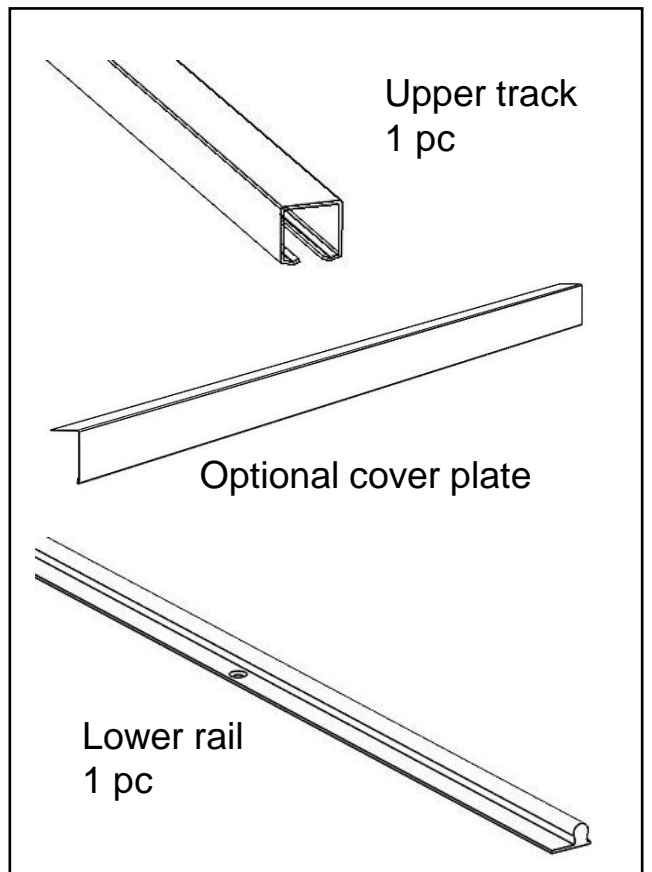
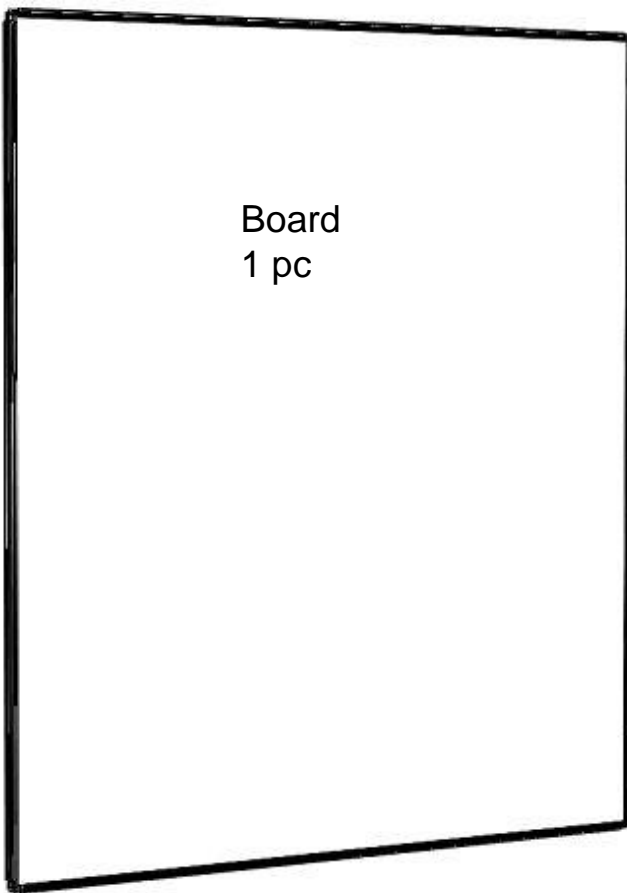


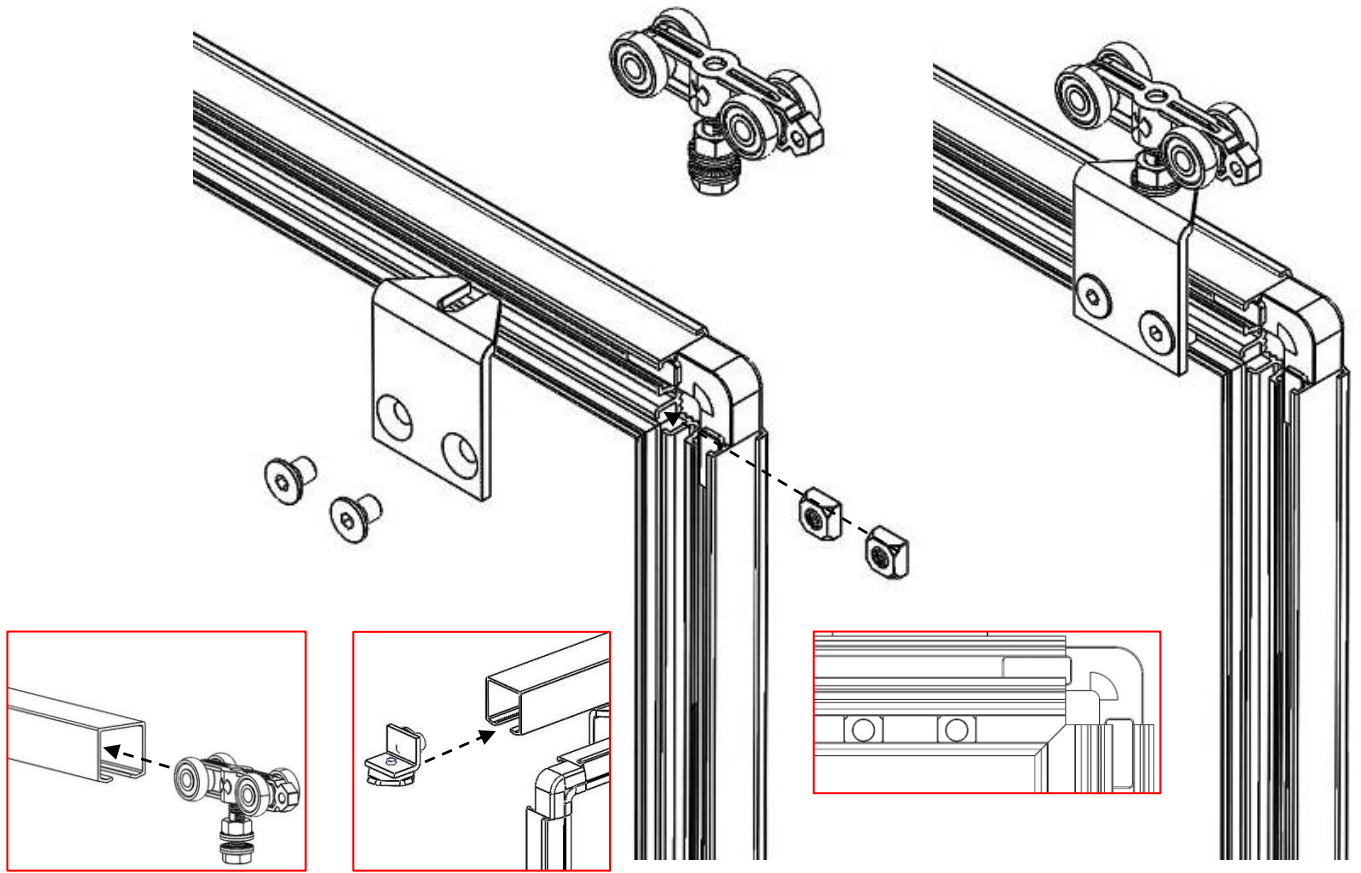
MOUNTING INSTRUCTIONS

SLIDING DOOR BOARD XL

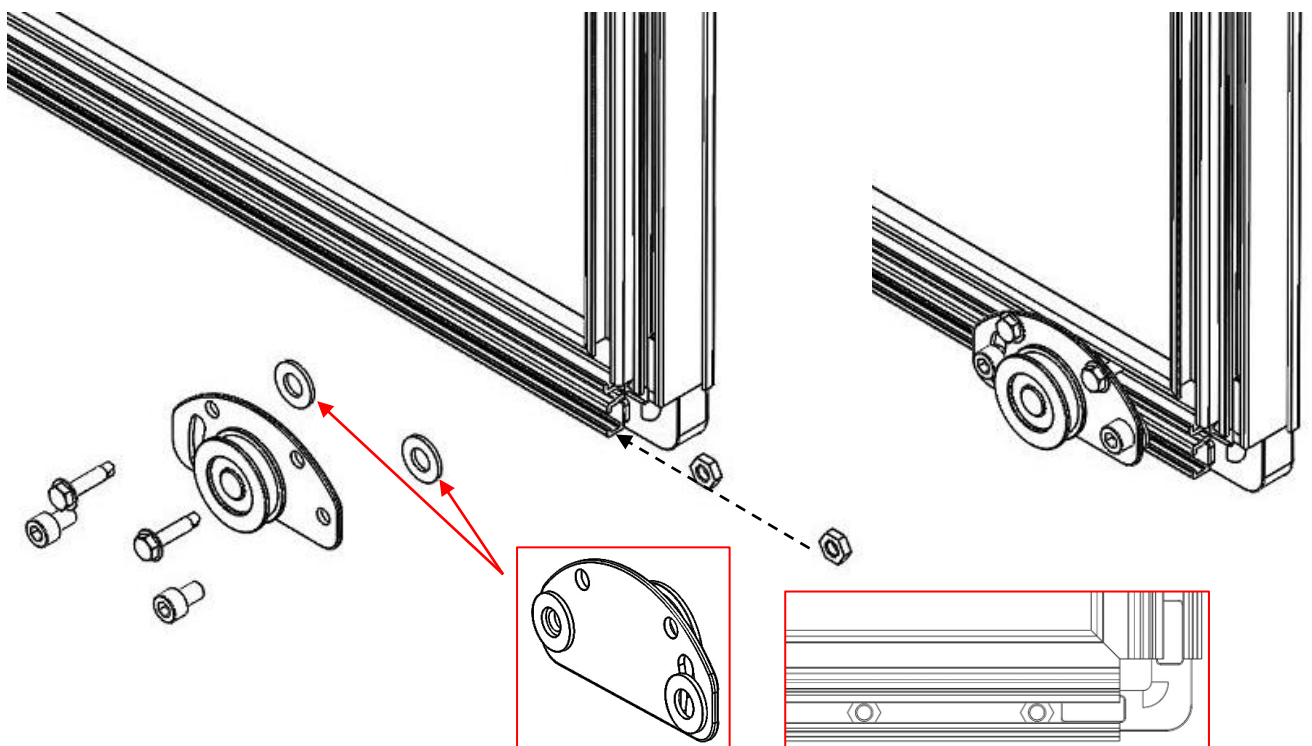


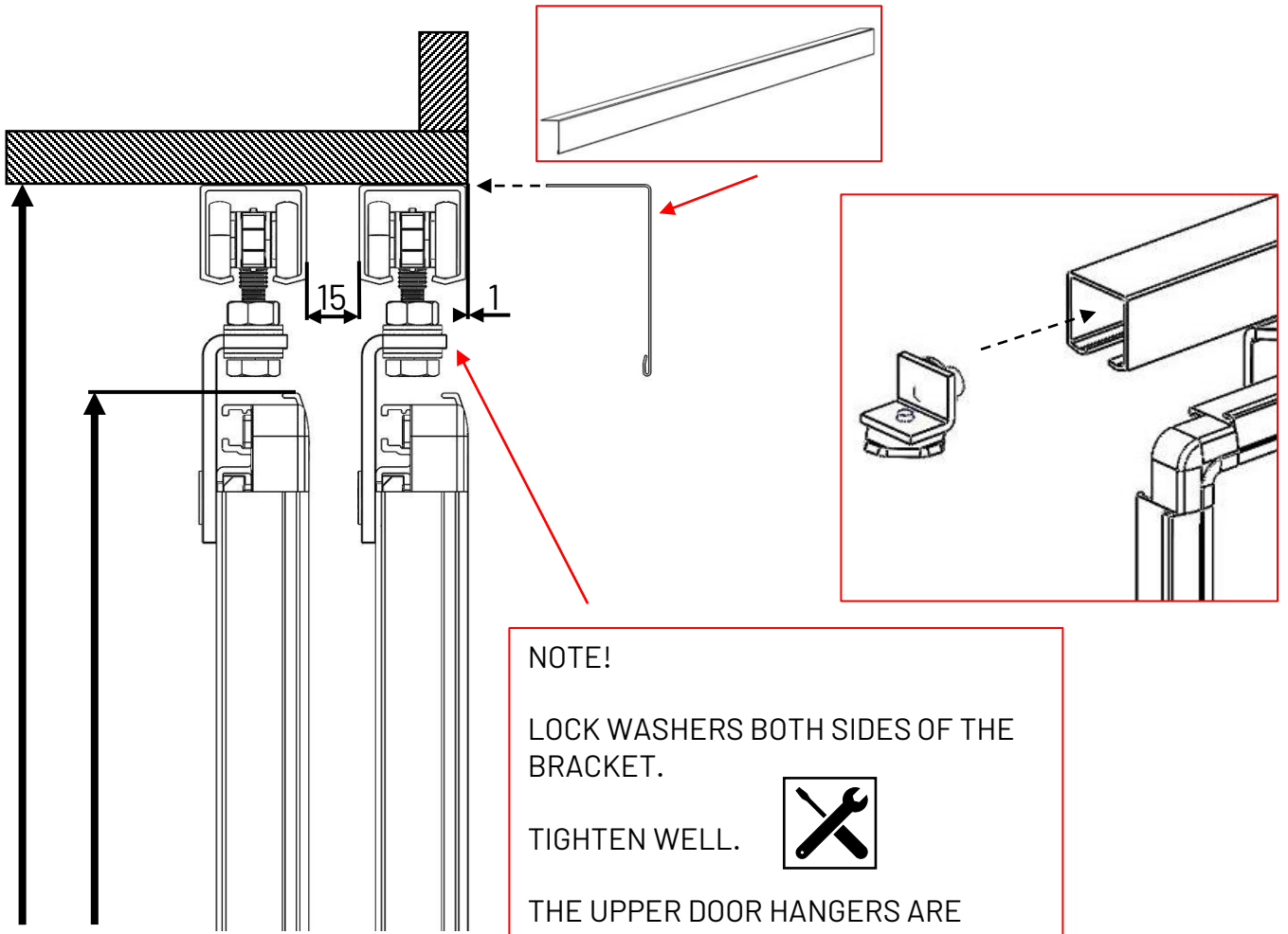
www.tk-team.com





NOTE!
IN SOME ASSEMBLIES THE SLIDING DOOR HANGERS
AND THE STOPPERS ARE NEEDED TO BE SET INSIDE
THE TRACK BEFORE THE TRACK IS MOUNTED.





NOTE!

LOCK WASHERS BOTH SIDES OF THE BRACKET.

TIGHTEN WELL.



THE UPPER DOOR HANGERS ARE MEANT TO CARRY MOST OF THE BOARD WEIGHT AND THE LOWER WHEELS ARE FOR GUIDING.

REMEMBER THE STOPPERS.

