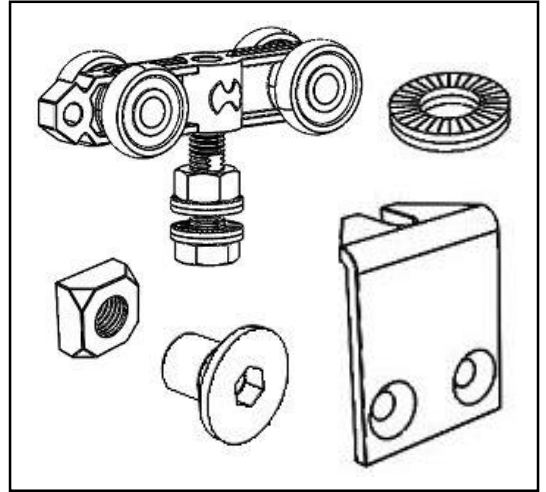
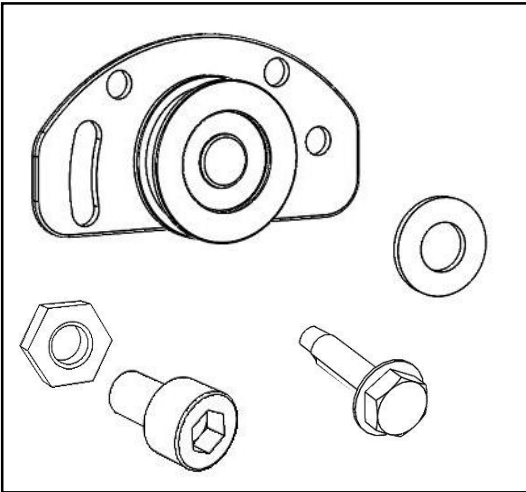
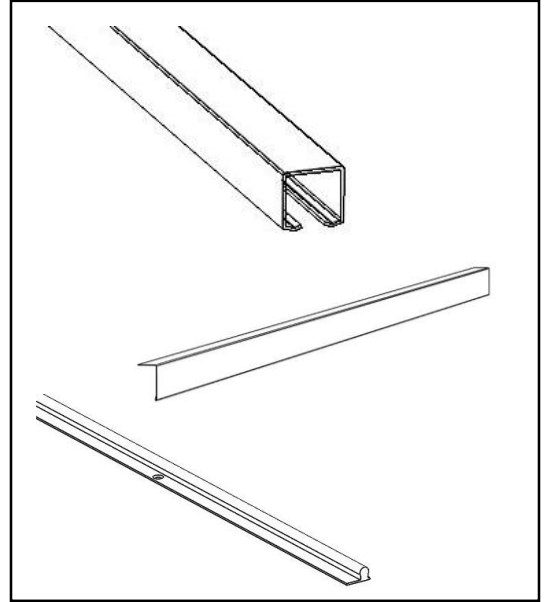
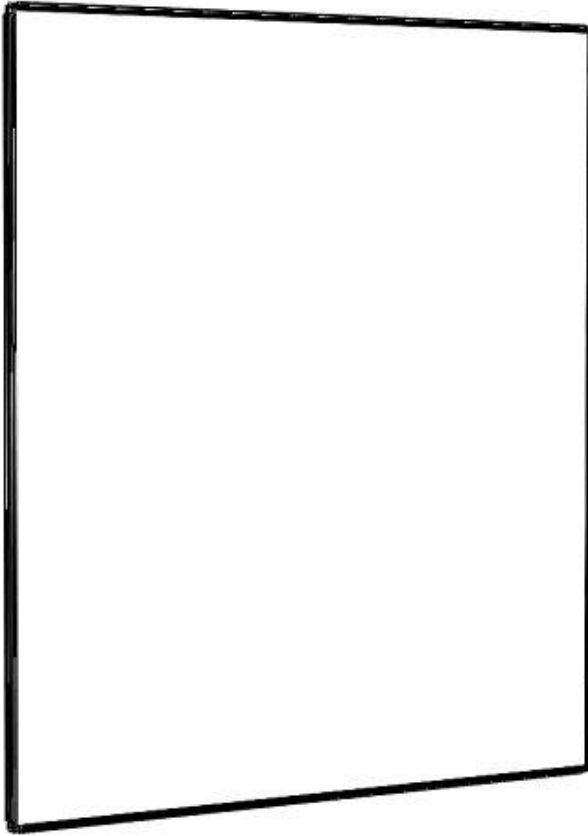


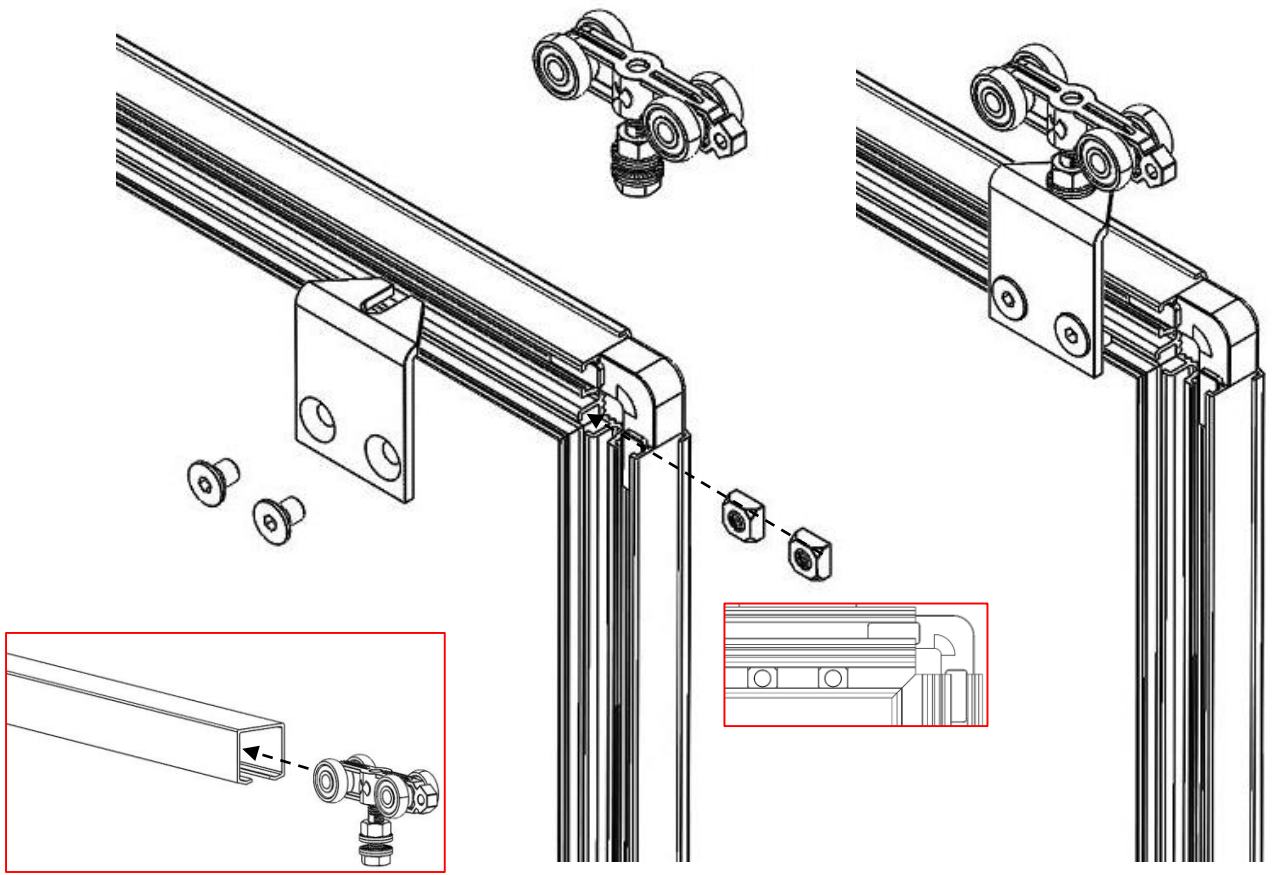
MOUNTING INSTRUCTIONS

SLIDING DOOR BOARD XL



www.tk-team.com





NOTE!
THE SLIDING DOOR HANGER NEEDS TO BE SET
INSIDE THE TRACK BEFORE THE TRACK IS
MOUNTED.

