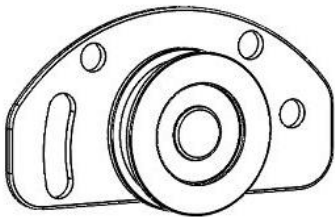
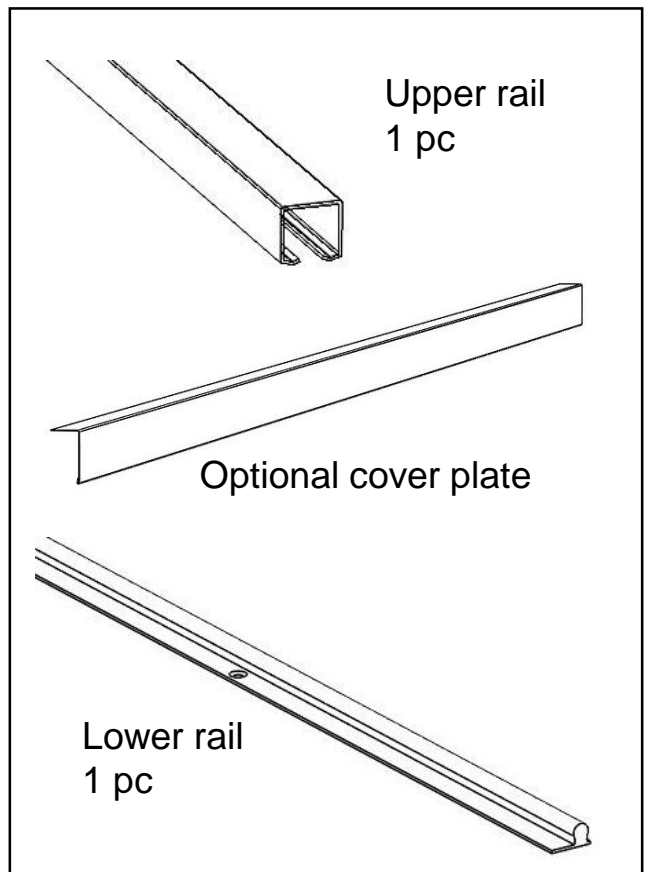
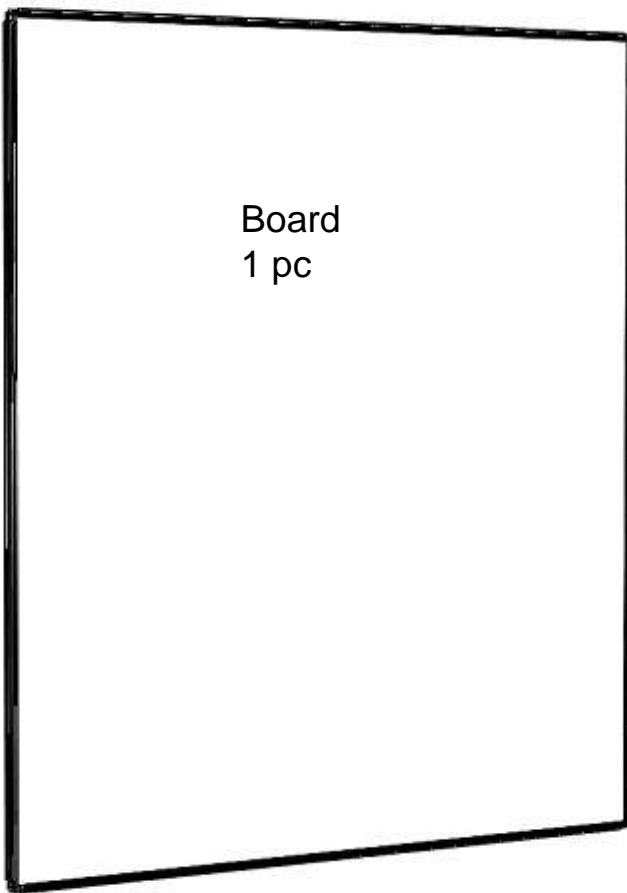


MOUNTING INSTRUCTIONS

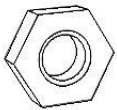
SLIDING DOOR BOARD XL



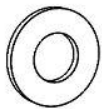
www.tk-team.com



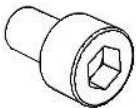
Lower roller
2 pcs



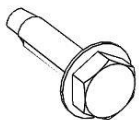
Low profile nut M6
4 pcs



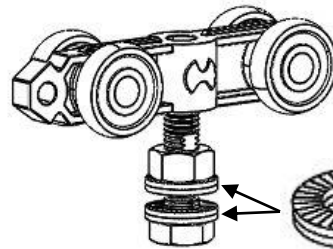
Washer M8
4 pcs



Bolt M6x10mm
4 pcs



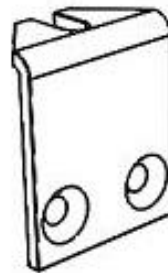
Self drilling screw 4,8x22mm
4 pcs



Hanger
2 pcs



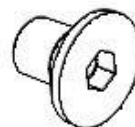
Lock washer
M8x16,6mm
4 pcs



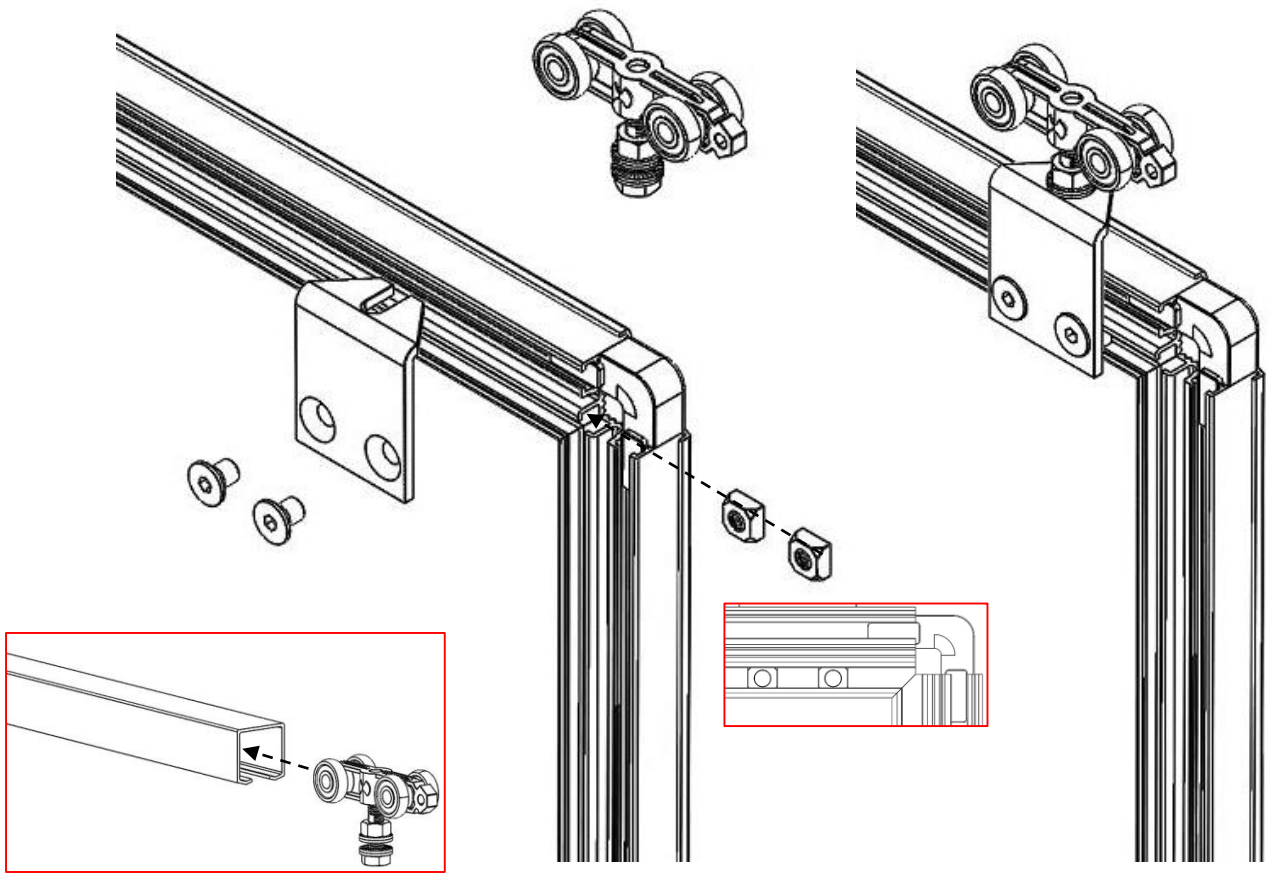
Bracket
2 pcs



Square nut M8
4 pcs



Counter sunk bolt
M8x12mm
4 pcs



NOTE!
THE SLIDING DOOR HANGER NEEDS TO BE SET
INSIDE THE TRACK BEFORE THE TRACK IS
MOUNTED.

